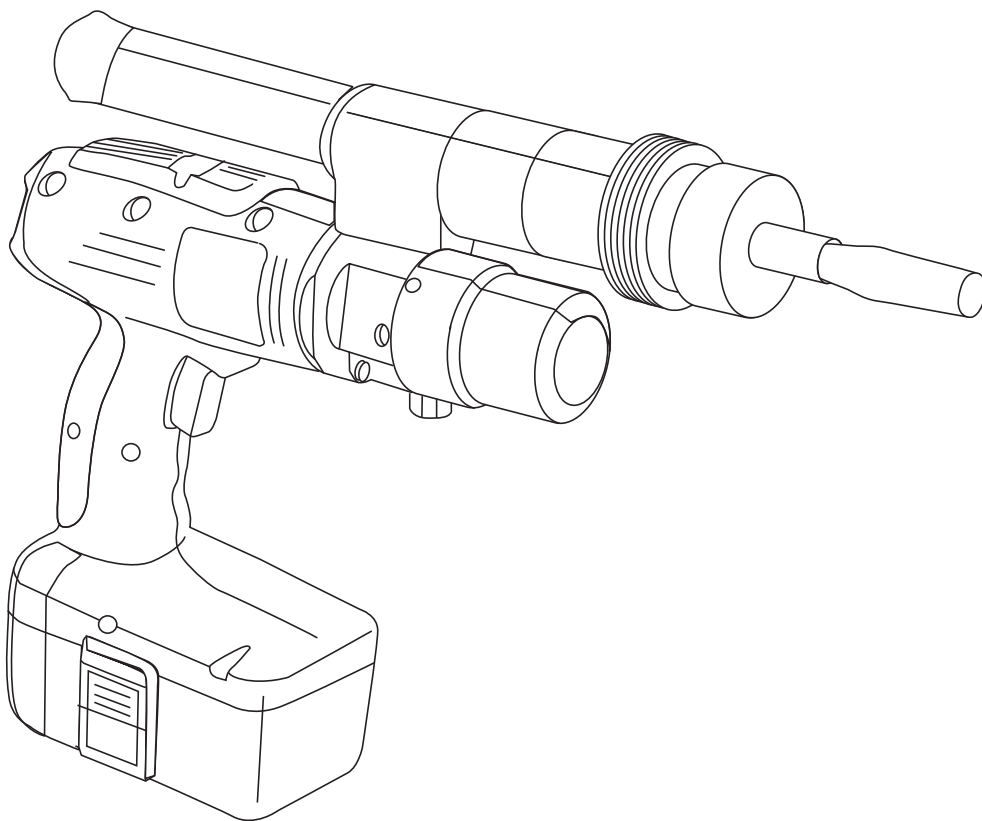




# aquatechnik®

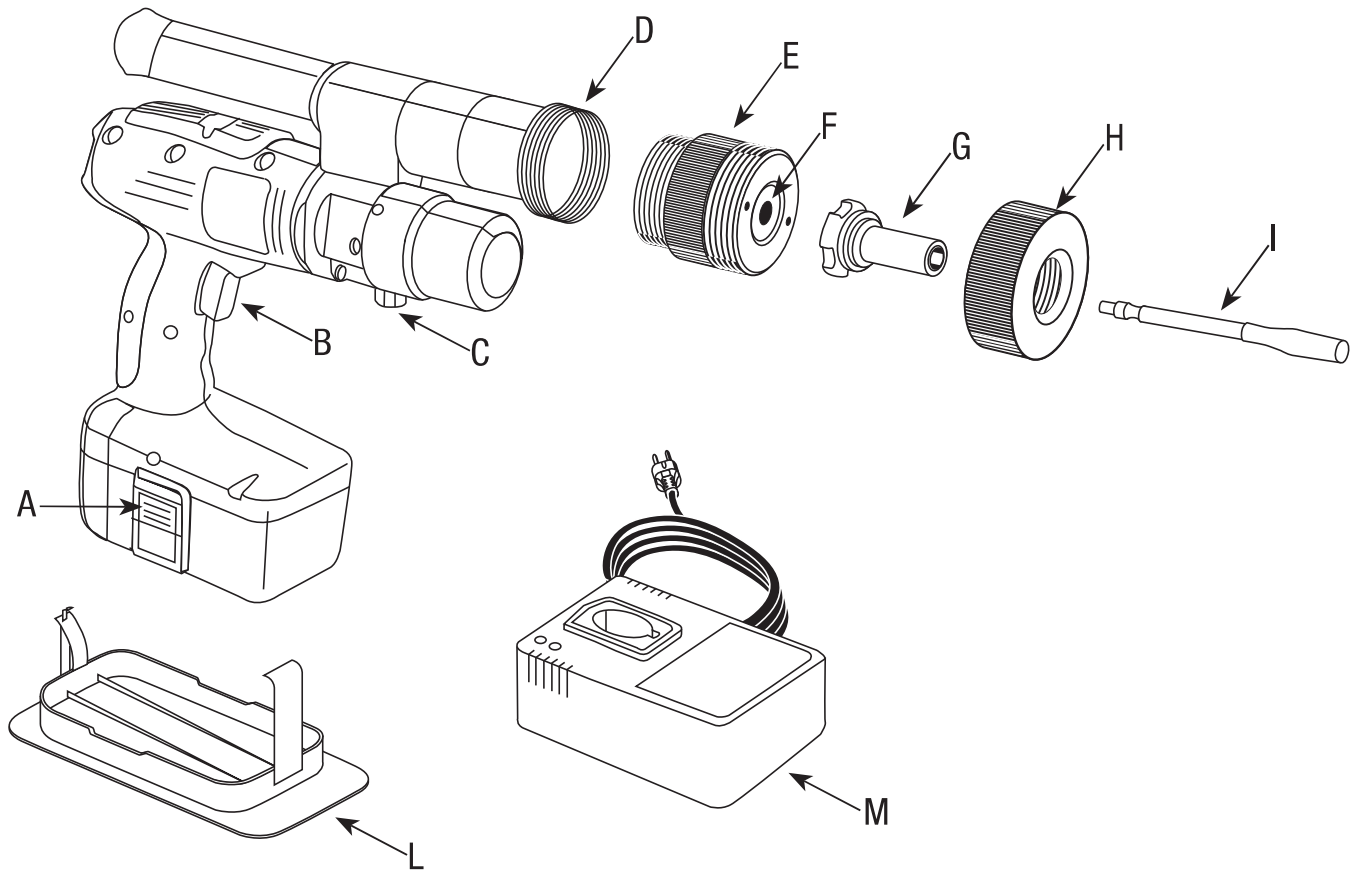
Istruzioni d'uso • Instructions for Use  
Instrucciones de utilización  
Gebrauchsanweisung • Notice d'utilisation

## **BST 32**



**Bicchieratrice BST 32, a batteria, 18V Sistema safety**  
**Coupling Tool BST 32, 18V battery, Safety system**  
**Màquina para abocardar BST 32, de batería, 18V Sistema safety**  
**Aufweitgerät BST 32, Batteriebetrieb, 18V System safety**  
**Machine à emboîture BST 32, à batterie, 18V Système safety**

LAYOUT COUPLING TOOL BST 32 WITH REUSABLE EXPANDER



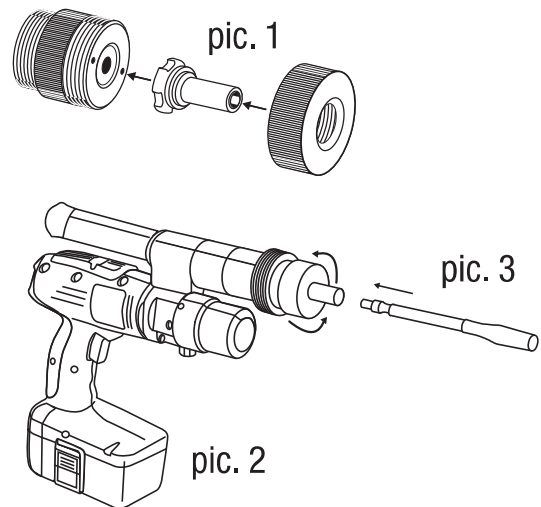
- A Battery ejection button
- B Starting button
- C Emergency return device
- D Coupling with ejection device
- E Removable head
- F Spongy-washer
- G Reusable expander
- H Ring nut
- I Extractor for reusable expander
- L Support
- M Battery recharger

## COUPLING PROCESSES WITH REUSABLE EXPANDER

1. Set the removable head of the desired working diameter on the Coupling Tool BST 32.

**Attention:** in order to perform this operation, the equipment must be in a rest position work. The Coupling tool BST 32 gets automatically in this position after the coupling processing. Anyway, you can set the machine out of work in any moment, using the suitable emergency return button (C).

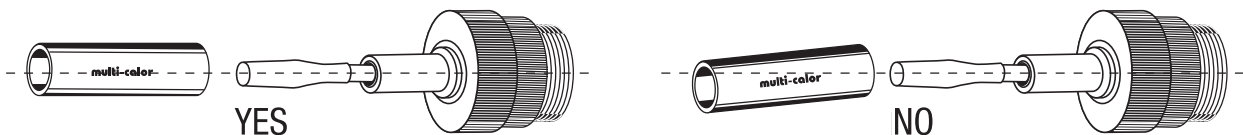
2. Put the reusable expander (G), with the flange towards the machine, into the removable head (E) as in picture 1. Screw the ring nut (H). Screw the removable head on the Coupling tool BST 32 (pic. 2), then insert the extractor (I) up to the stop (pic. 3).



3. Cut the pipe perpendicularly and with care, then insert the cap into it.

4. Insert the extractor (I) into the pipe till the flange-stop of the plastic reusable expander (G).

**Attention:** pipe must be in axis and parallel to the extractor (I).



5. Press the starting button (B) until the coupling is made (the pipe will be automatically released from the tool once this operation is over). The Coupling tool BST 32 will automatically get back to the rest position.

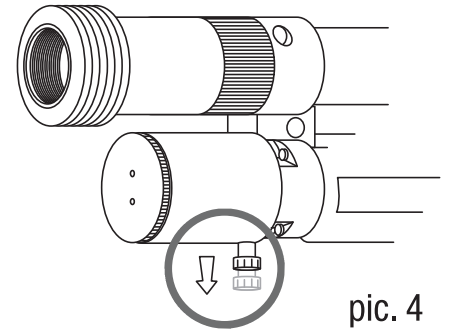
**NB:** time necessary to the automatic reset 4-5 seconds.

6. Clutch the safety fitting into the coupling of pipe till the stop.

7. Screw the cap up to the anti-unscrewing safety notch (use the special wrench series 50600).

**NB:** the connection may be disassembled by unlocking the cap by means of the special wrench.  
DO NOT RE-USE caps already locked.

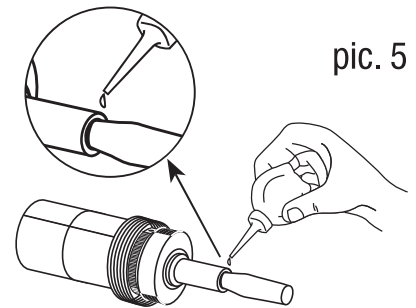
**Warning:** the BST 32 Coupling Tool is equipped with an automatic device that, when the coupling process is complete, puts the equipment back in the rest position (reset time 4-5 seconds), ready to perform other coupling processes. It is however possible to place the equipment in this operating position manually, by pulling the appropriate emergency return device (C) as shown in figure 4 alongside.



pic. 4

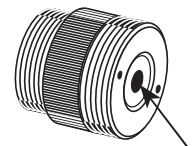
## WARNINGS

- Keep the extractor lubricated (pic. 5) by adding two drops of oil in the return phase, when the extractor (I) has trouble entering.



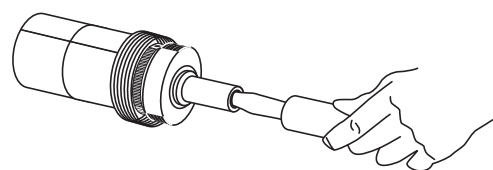
pic. 5

- Replace the spongy-washer (F) in front of the removable head when the extractor lubrication is insufficient (pic. 6).



pic. 6

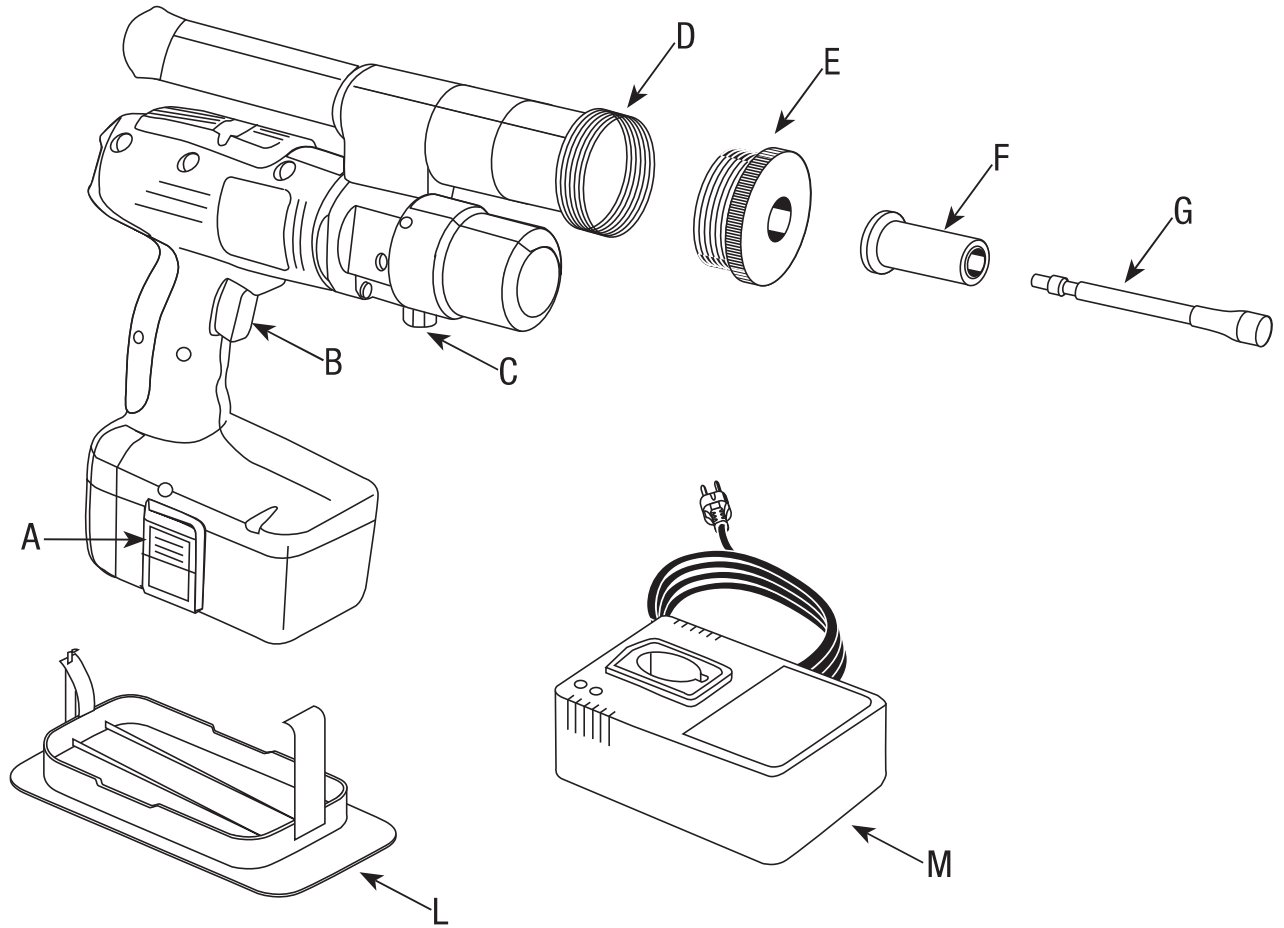
- Replace the reusable expander (G) when the pipe has trouble entering (pic. 7) or when the reusable expander is worn (after about 500 coupling processes).



pic. 7

## NOTES

**LAYOUT COUPLING TOOL BBT 32 WITH SINGLE-USE EXPANDER**



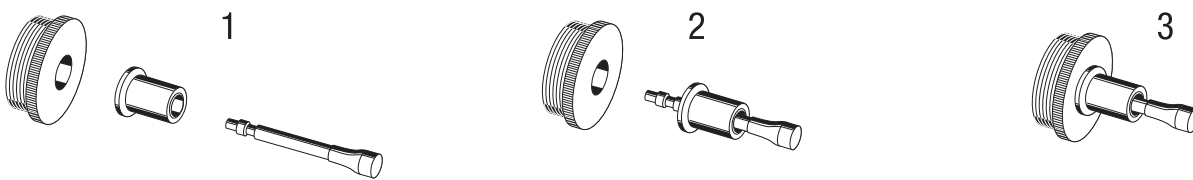
- A Battery ejection button
- B Starting button
- C Emergency return device
- D Coupling with ejection device
- E Removable head
- F Single-use expander
- G Extractor for single-use expander
- L Support
- M Battery recharger

## COUPLING PROCESSES WITH SINGLE-USE EXPANDER

1. Set the removable head of the desired working diameter on the Coupling Tool BST 32.

**Attention:** in order to perform this operation, the equipment must be in a rest position. The Coupling tool BST 32 gets automatically in this position after the coupling processing. Anyway, you can set the machine out of work in any moment, using the suitable emergency return button (C).

2. Insert the extractor (G) into the single-use expander (F) with the flange facing towards the machine, then fit them both in the relevant hole on the head of the coupling tool. The ejection device will automatically go into the working position (to perform this operation, the tool must be in the rest position, see point 1).



3. Cut the pipe perpendicularly and with care, then insert the cap into it.

4. Insert the extractor (G) into the pipe up to the stop on the flange of the single-use expander (F).

**Attention:** pipe must be in axis and parallel to the extractor (G).



5. Press the starting button (B) until the coupling is made (the pipe will be automatically released from the tool once this operation is over). The Coupling tool BST 32 will automatically get back to the rest position.

**NB:** time necessary to the automatic reset 4-5 seconds.

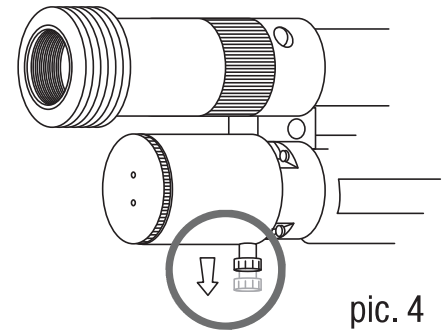
**NB2:** the single-use expander (F) cannot be used for successive processing.

6. Clutch the fitting into the coupling of pipe till the stop.

7. Screw the cap up to the anti-unscrewing safety notch (use the special wrench series 50600).

**NB:** the connection may be disassembled by unlocking the cap by means of the special wrench.  
DO NOT RE-USE caps already locked.

**Warning:** the BST 32 Coupling Tool is equipped with an automatic device that, when the coupling process is complete, puts the equipment back in the rest position (reset time 4-5 seconds), ready to perform other coupling processes. It is however possible to place the equipment in this operating position manually, by pulling the appropriate emergency return device (C) as shown in figure 4 alongside.



pic. 4

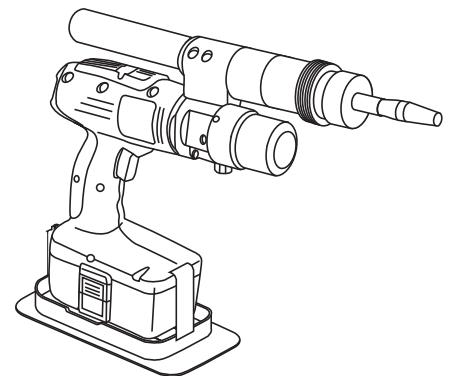
## PROCESSING REMARKS

### USE OF THE SUPPORT

The Coupling tool BST 32 is provided with a suitable multi-purpose support, which can be used as tool support when working on a bench, and as support when one should use it on a site.

### BENCH PROCESSING

Place the Coupling tool BST 32 into the special housing in the middle of the support L (see picture). The special shape of the support locks the equipment in a balance condition preventing it from falling and comfortably allows for bench processing on any work surface.



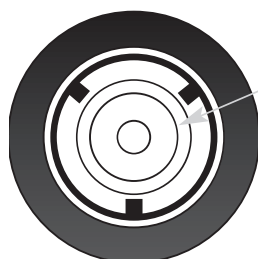


## MAINTENANCE

- In order to clean the equipment, use a cloth slightly soaked with a common, nonaggressive detergent. DO NOT USE acid substances, thinners, solvents, and powdered products which may damage its components.
- For a good operation of the Coupling tool BST 32, it is recommended to perform a servicing every two years conducted at Aquatechnik mechanical dept.
- Any servicing work on the Coupling tool BST 32 shall be performed at Aquatechnik mechanical dept. Any alteration of the equipment or its components involve the cancellation of the warranty.
- In case of consistent loss of oil from the equipment, send immediately the Coupling tool BST 32 to Aquatechnik mechanical dept. for subsequent inspection and repairing. (Warning: avoid that leaked oil comes into contact with the eyes or skin. Do not inhale or ingest. Do not disperse into the environment).
- Avoid that the equipment get wet; water and liquids in general can damage the electrical circuits
- Regularly lubricate the link device of the extractor with oil.

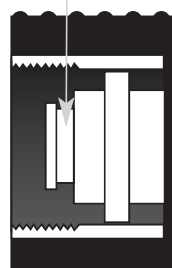
**Warning:** During maintenance operations, make sure that the equipment is disconnected from power sources (battery or outlet).

1. Take the removable head



Frontal view

2. Lubricate



Section

## POWER SUPPLY

### BATTERIES (18V) AND BATTERY RECHARGER (230V)

- The time needed for the recharging is 1½ - 2 hours.
- The continuous battery recharger red light indicates that batteries are being charged:
  - the red light is on to indicate the contact between the battery and battery recharger;
  - the green light is on to indicate the recharging cycle is over.
- The temperature increasing of the battery during recharging is normal. The battery overheating can temporarily block the recharging process. A special sensor lets the battery recharging start properly (in this case, the recharging time could be longer).
- To preserve the endurance and the good performing of the battery, we suggest to download completely - at the least the first few times- before the next recharging. Perform partial battery recharging may cause a reduction of battery life

**Warning:** Batteries contain nickel-cadmium (NiCad). **DO NOT DISPOSE NORMALLY.** Use the special recycling bins.

### BATTERY ENDURANCE

The Coupling tool BST 32 battery endurance changes according to the pipe diameter. Inspections and tests performed in continuously on totally-charged batteries have given the following values:

Pipe diameter	14 - 16	18 - 20	26	32
Endurance: No. of processings	230	200	150	120

**NB:** At very low temperatures (below 5°C), battery endurance may be exceedingly lower than the one declared.

The battery endurance decreases if the coupling tool stays at rest for a long time.

The estimated battery life, if it's used correctly, is about 800 recharging.

### NETWORK POWER SUPPLY

The Coupling tool BST 32 can also be used with (230V) electrical network connection by replacing the battery with an electrical transformer having size and dimensions like the battery ones (item# 50447 optional).

## CE CONFORMITY

The Coupling tool BST 32 complies with CE Machine Directives relating to the above mentioned standards:

REFERENCE	TITLE
EN 12100 - 2:2003	Safety of machinery - Basic concepts, general principles for design - Part 1: Basic terminology, methodology
EN 12100 - 2:2003	Safety of machinery - Basic concepts, general principles for design - Part 2: Technical specifications and principles
EN 349	Safety of machinery - Minimum gaps to avoid crushing of parts of the human body
EN 953	Safety of machinery - Guards - General requirements for the design and construction of fixed and movable guards
EN 1037	Safety of machinery - Prevention of unexpected start-up
EN 14121-1	Safety of machinery - Principles for risk assessment
EN 60204-1:2006	Safety of machinery - Electrical equipment of machines - Part 1: General requirements

## GUARANTEE

The Coupling tool BST 32 and all its components are guaranteed for 1 year and 3 months since the date of the first use, anyway no longer than 1 year since the purchase date. This guarantee answers for all those defects due to mistakes or defects in production. So, guarantee does not answer in case of unduly use, modifications or repairs done by anyone other than the mechanical dept. of Aquatechnik. It does not answer in case of damages to things or people due to negligence or unduly use of the tool.

**NB:** the freight costs to send the tool under warranty to Aquatechnik must be paid by the customer.